

YXPO160285(Candice) 组装图

29	1	3DP 30491	AIR GUIDE
28	4	3DP 30490	BRACKET CARD GUIDE SMALL
27	1	3DP 30413	FILTER STOP BRACKET
26	1	3DP 30412	FILTER BRACKET ASSY
25	3	3DP 30411	FAN BRACKET ASSY
24	10	3DP 30410	BRACKET CARD GUIDE
23	3	3DP 30409	FAN HANDLE
22	1	3DP 30408	FILTER BRACKET SHORT ASSY
21	1	3DP 30223	EMC-profile bottom
20	1	3DP 30222	Air out panel assy
19	1	3DP 30221	Rear left panel assy
18	1	3DP 30220	Bacplane support angle #2
17	1	3DP 30219	Bacplane support angle #1
16	1	3DP 30218	Power rear bracket #2
15	1	3DP 30217	Power rear bracket #1
14	1	3DP 30213	Card-receptor righth
13	1	3DP 30210	Card-receptor left
12	1	3DP 30207	Card-receptor centre
11	2	3DP 30197	Card guide assy
10	1	3DP 30196	Card guide Main board assy
9	1	3DP 30193	Fan plate assy
8	1	3DP 30192	Top cover
7	1	3DP 30191	Bottom-side assy
6	2	3DP 30190	Rack-angle 2U
5	4	116049	M6x12 Unbraco linsehode
4	6	114890	M4x40 Torx Pan Head
3	5	-	M2.5x4 Torx senk
2	6	-	6unc csk Torx
1	80	-	M3x6 Torx senk
Item No.	Default/Qty. 默认数量	Number	File Name

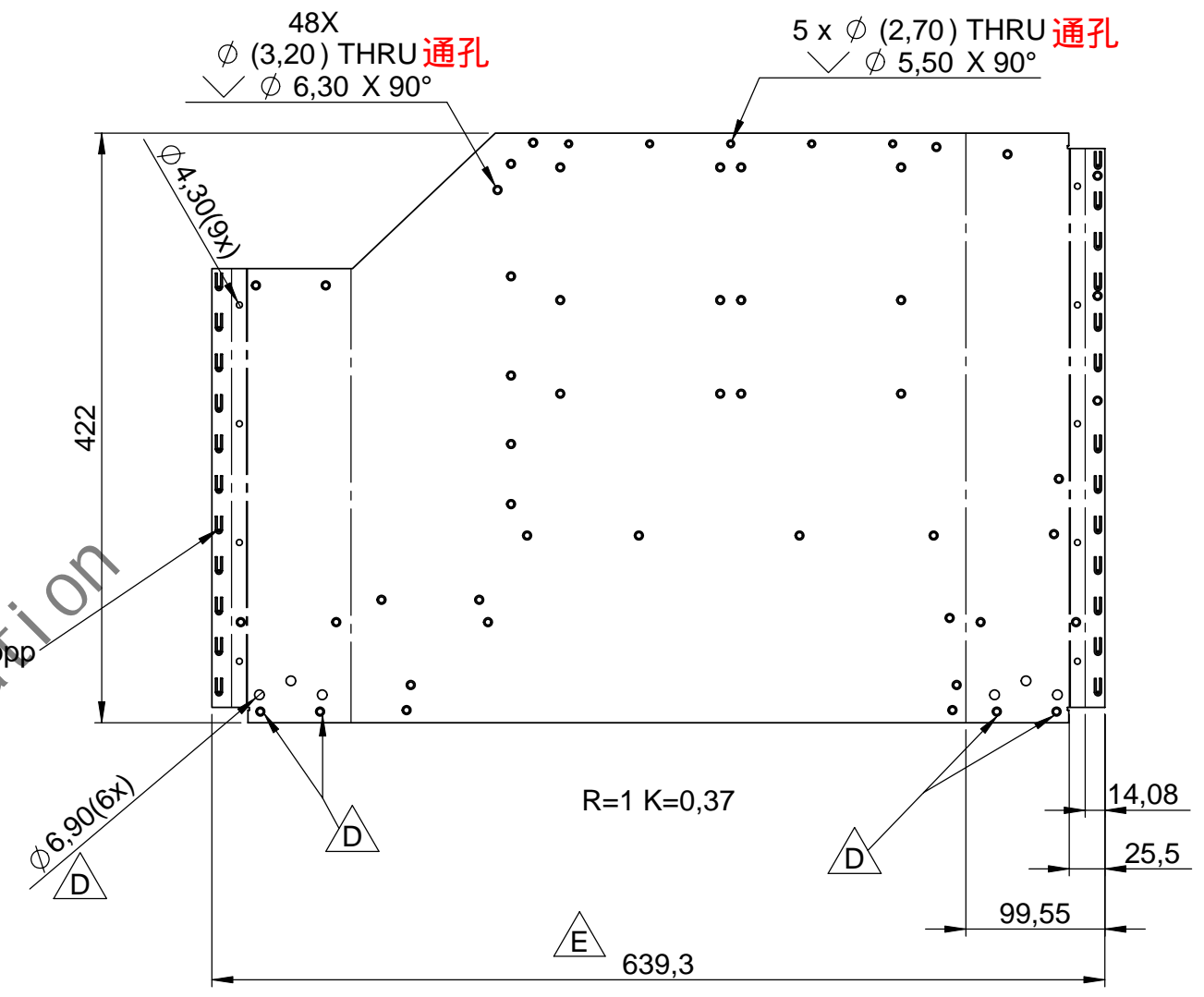
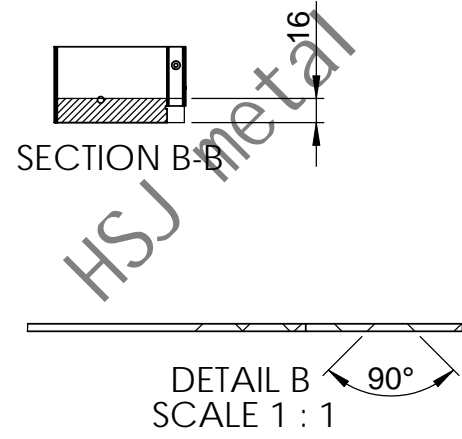
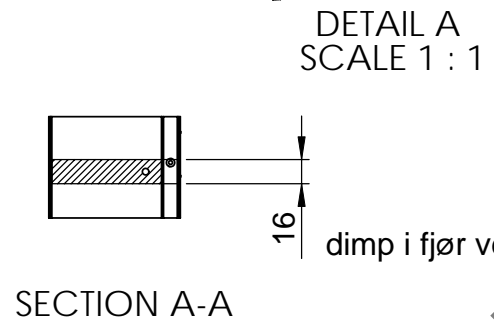
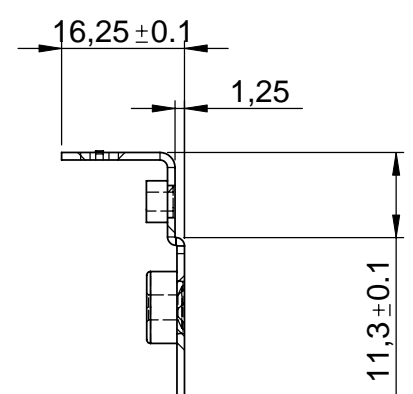
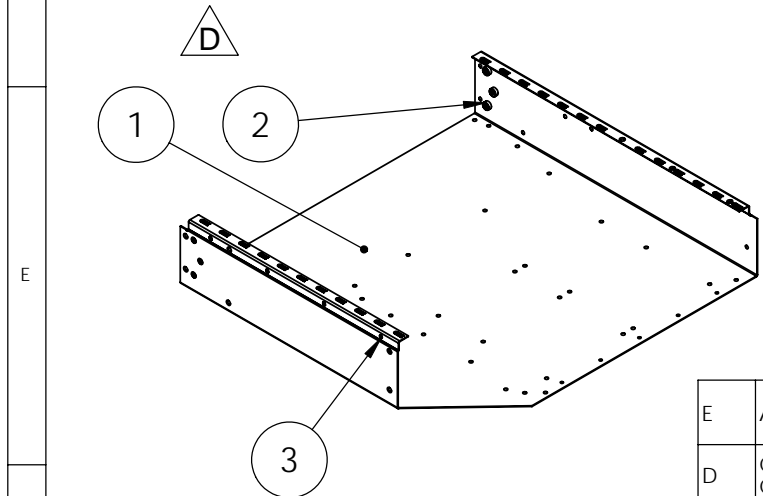
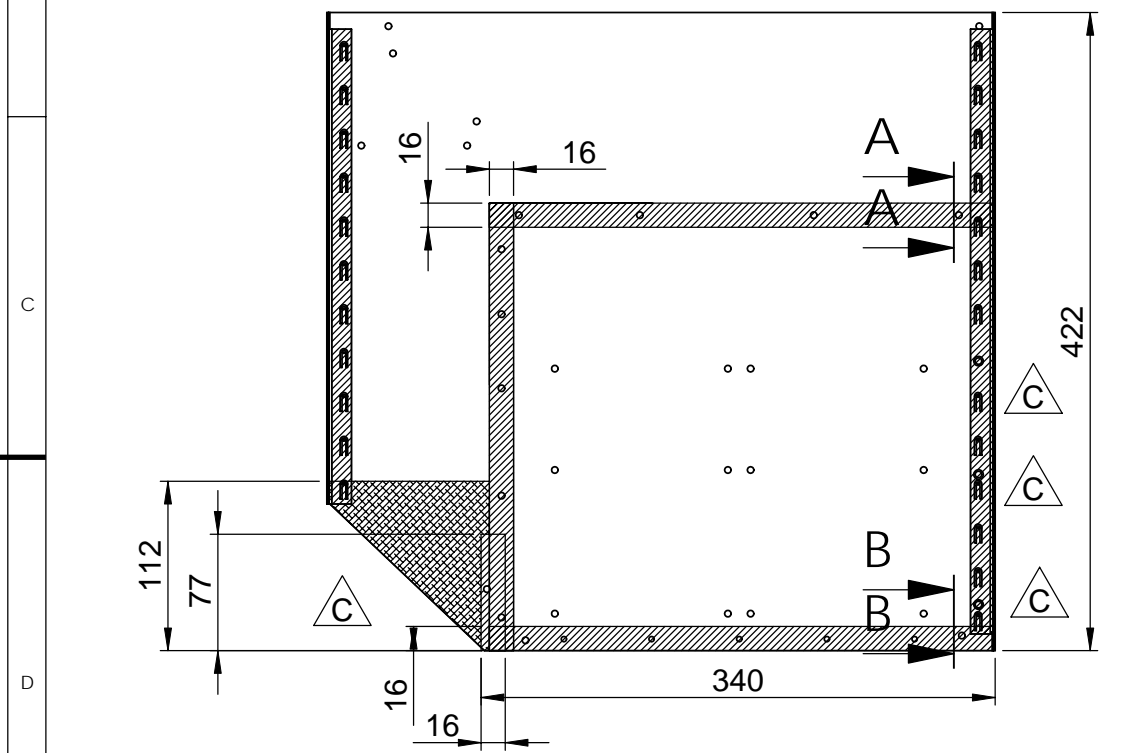
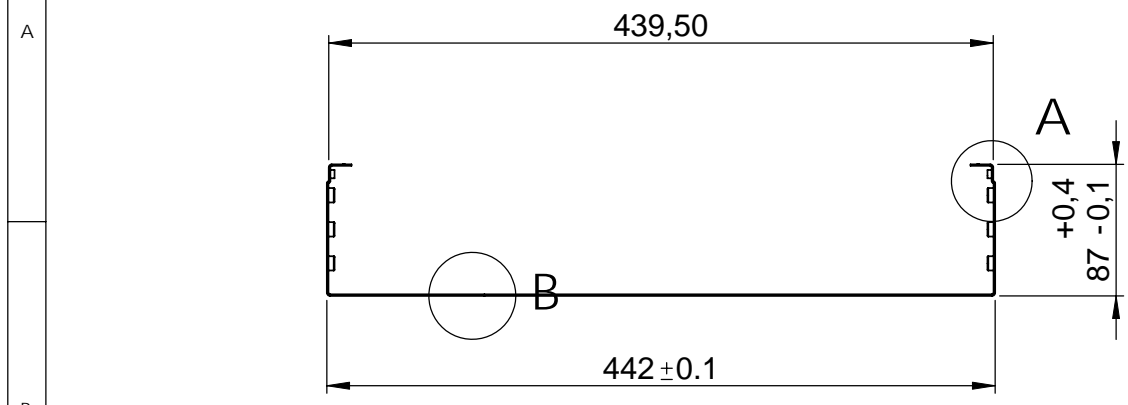
Parts List (产品列表)

Date:	15.02.2012	Constr./drawn	Appd.	European Proj.	
Surface treatment:	-	Tolerance:	NS-ISO 2768 M	Scale:	1:5
Codec MegaWall2 uten front					
Customer: 3D-Perception					
DWG NO. 31458					
REV					

Rev.	Modification	Date	Sign.
REVISIONS			

Parts List - Single part

Qty.	Number	File Name	Material	Thickness
1	3DP 30191-10	Bottom-side	St Aluzink	1



喷粉区域 (见样品)
CHASSIS PAINTED EXTERIOR AND PAINTED AREA: [Hatched Pattern]

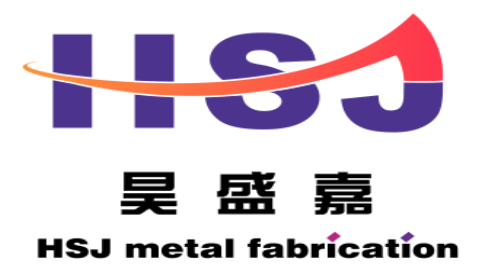
NO PAINT OR MASKING AREA: [Diagonal Line Pattern]
(注: 该图形标注区域不喷粉, 请遮盖)

3	9	Minarb M3	MINARB M3
2	6	ARB M4	ARB_M4
1	1	3DP 30191-10	Bottom-side
Item No.	Qty.	Number	File Name

Rev.	Modification	Date	Sign.
E	Added material, measurement 639,3 was 638	19.11.2010	IJ
D	Changed 6x holes, Ø6,9 for ARB-M4 (was Ø5,9 for ARB-M3) Added 4x Countsunk holes Ø6,3x90°	08.06.2010	IJ
C	Several minor changes	12.01.2009	TL
B	Added 4x holes	15.10.2008	TL
A	Several minor shanges.	02.10.2008	TL

Parts List

Date:	23.01.2008	Constr./drawn:	TL	Appd.:	
Surface treatment:	EP-0301-4950327	Tolerance:	NS-ISO 2768 M	Scale:	1:5
Bottom-side assy					

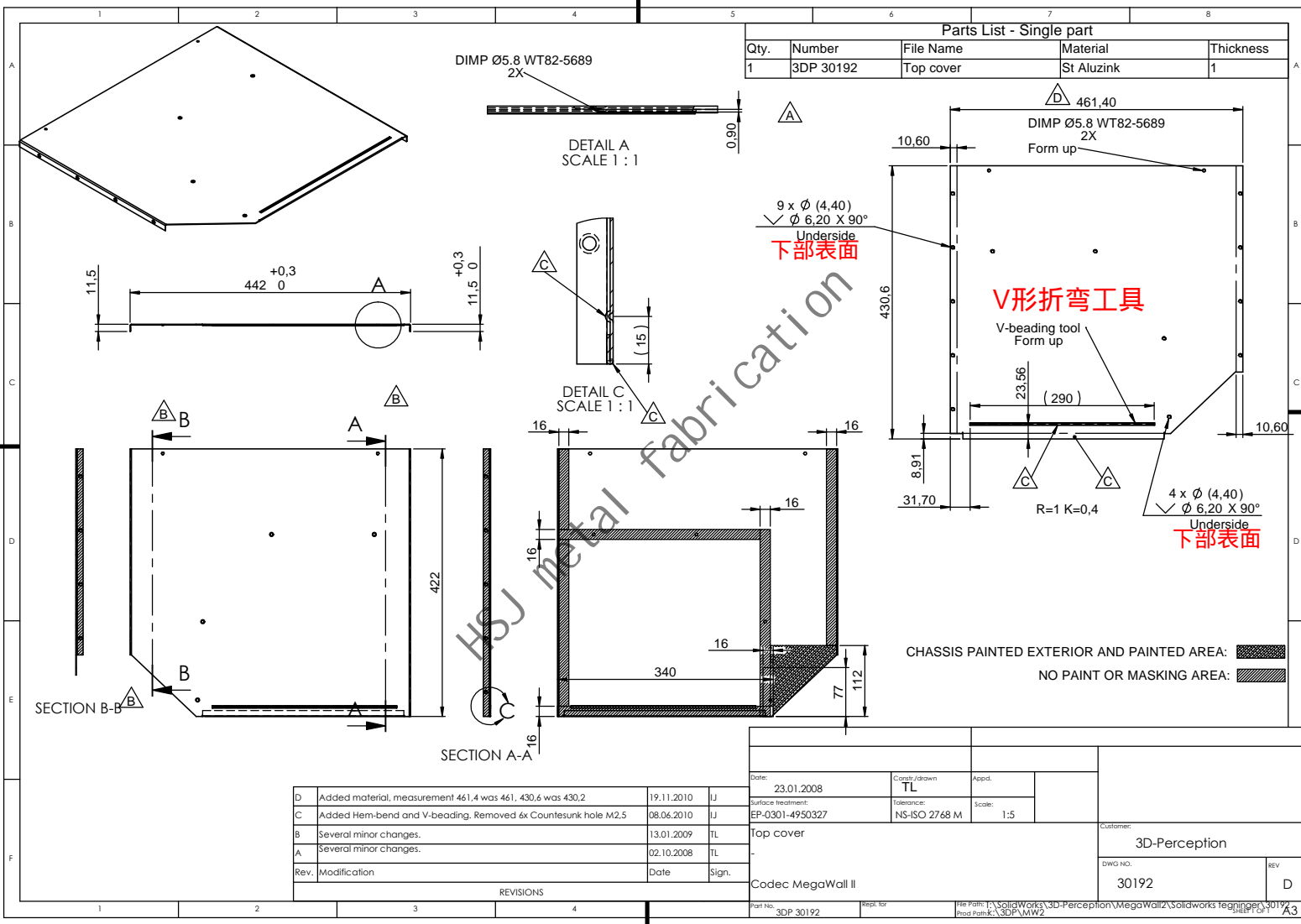


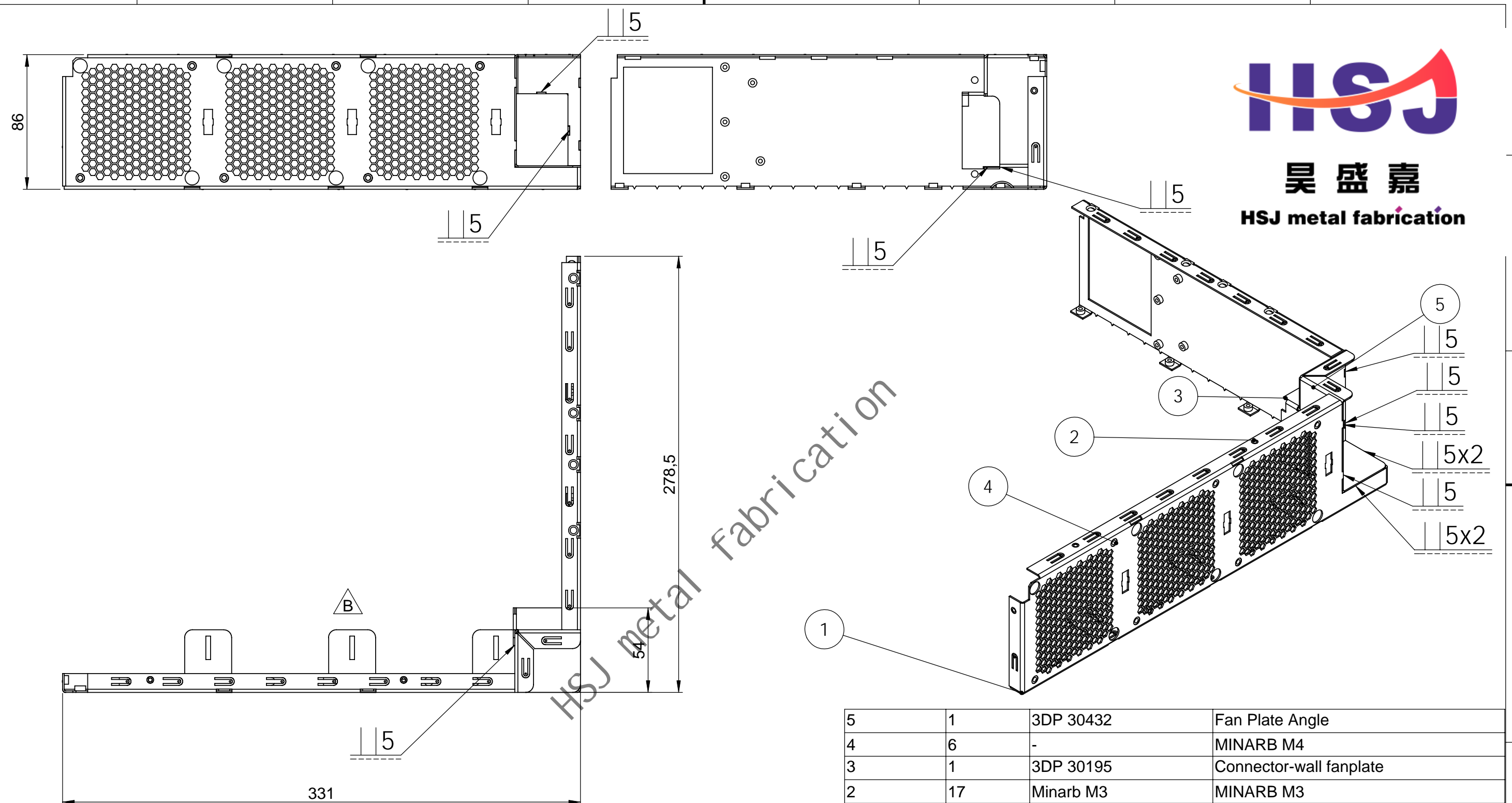
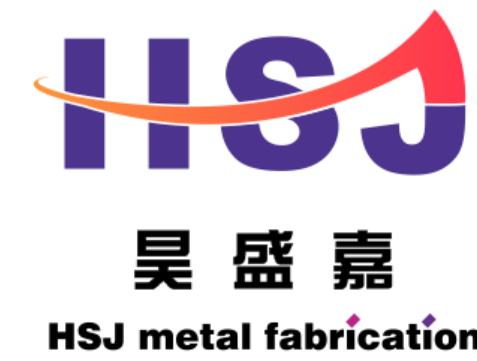
REVISIONS



昊盛嘉

HSJ metal fabrication





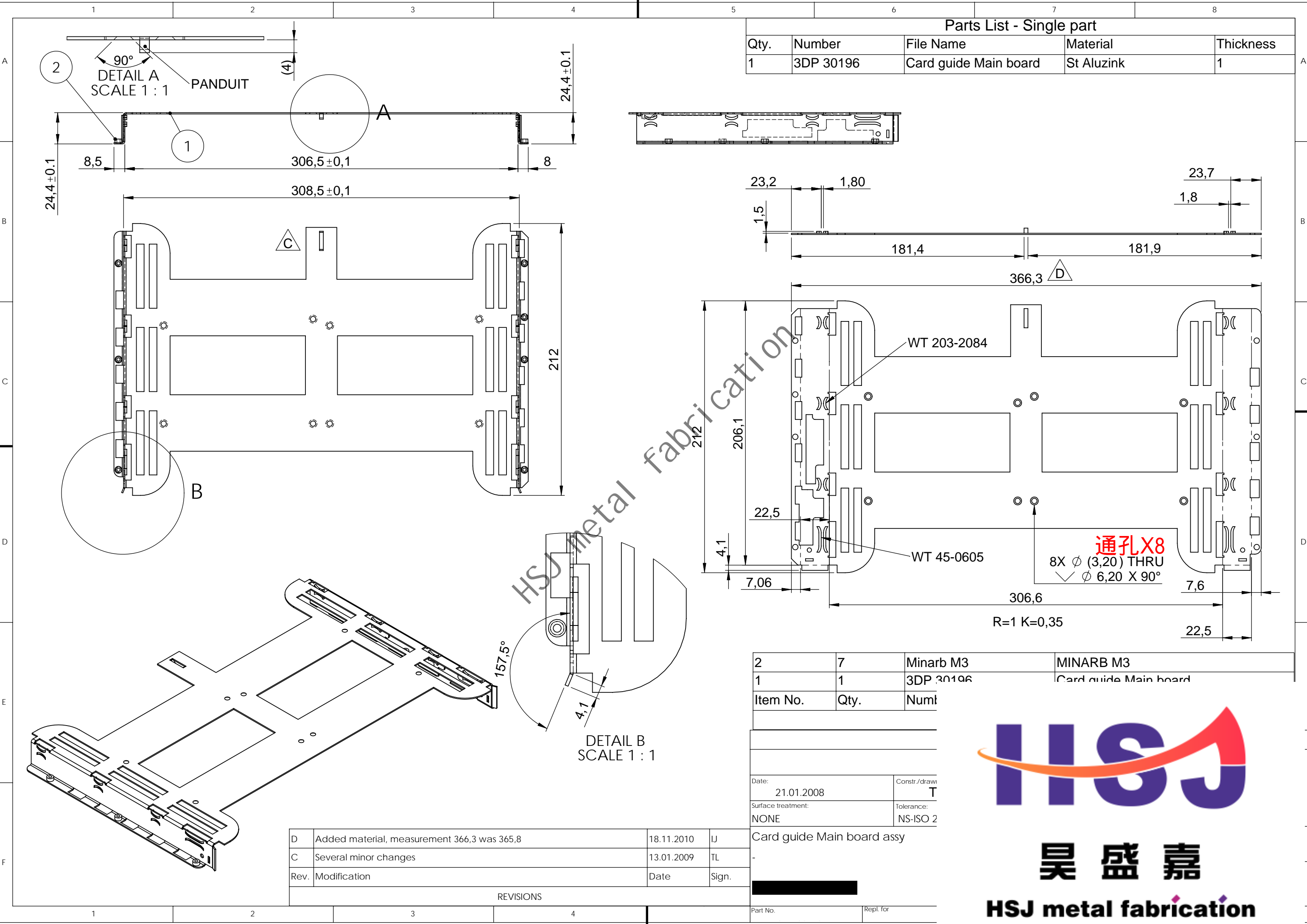
5	1	3DP 30432	Fan Plate Angle
4	6	-	MINARB M4
3	1	3DP 30195	Connector-wall fanplate
2	17	Minarb M3	MINARB M3
1	1	3DP 30194	Fan plate
Item No.	Qty 数量	Number	File Name

Parts List

Date: 21.01.2008		Constr./drawn: TL		Appd.	
Surface treatment: CHROMATED BLUE		Tolerance: NS-ISO 2768 M		Scale: 1:2.5	
Fan plate assy				Customer: 3D-Perception	
-				DWG NO. 30193	
Codec MegaWall II				REV B	

Rev.	Modification	Date	Sign.
B	Several minor changes	13.01.2009	TL
A	Several minor changes	06.10.2008	TL

REVISIONS



Parts List - Single part

Qty.	Number	File Name	Material	Thickness
1	3DP 30196	Card guide Main board	St Aluzink	1

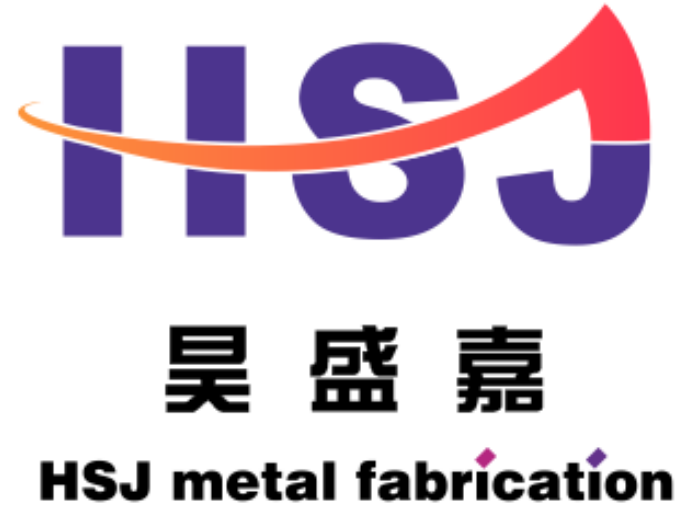
2	7	Minarb M3	MINARB M3
1	1	3DP 30196	Card guide Main board
Item No.	Qty.	Numl	

Date:	21.01.2008	Constr./draw	T
Surface treatment:	NONE	Tolerance:	NS-ISO 2

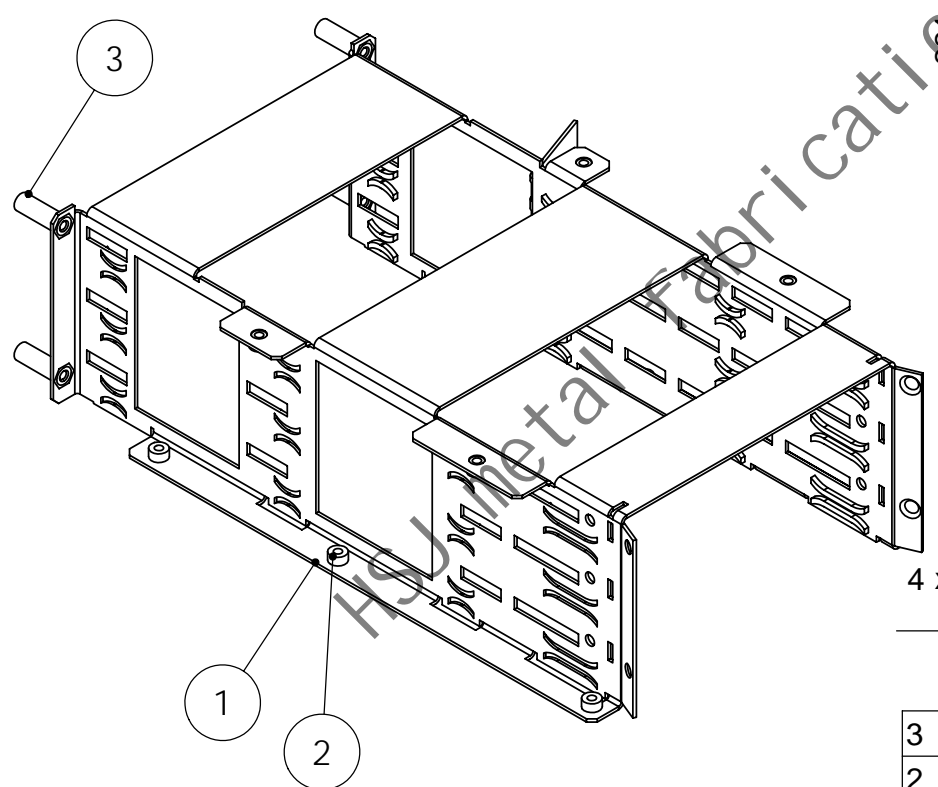
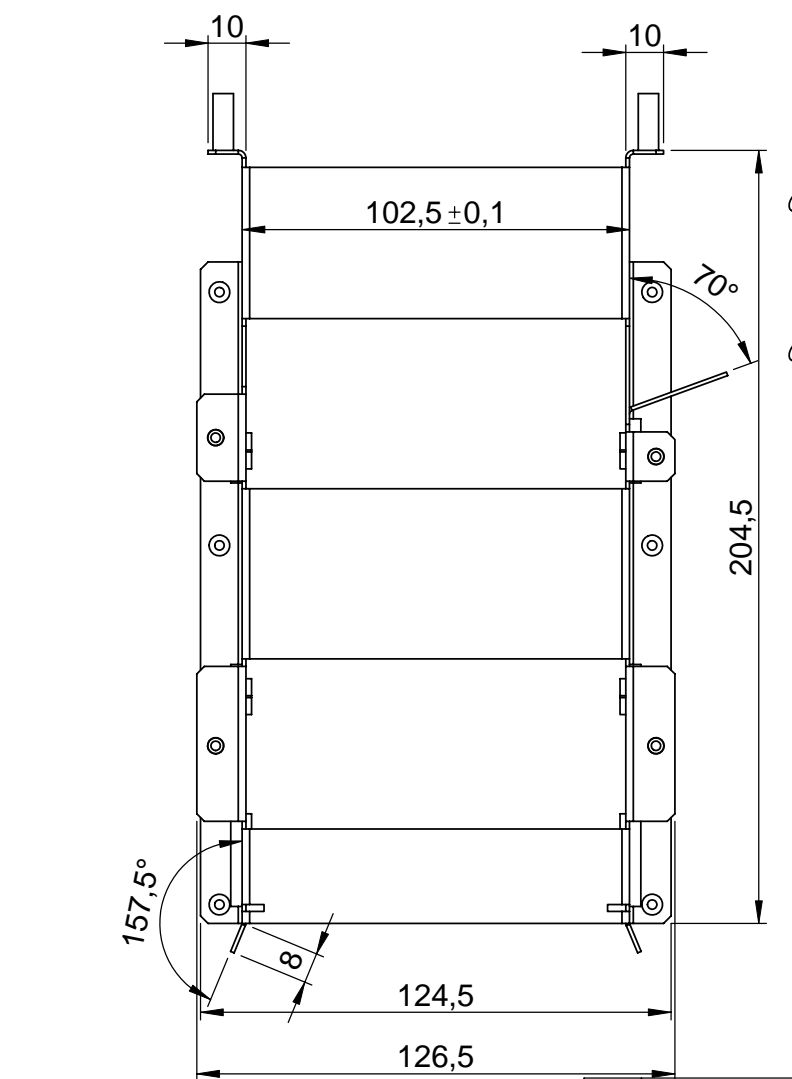
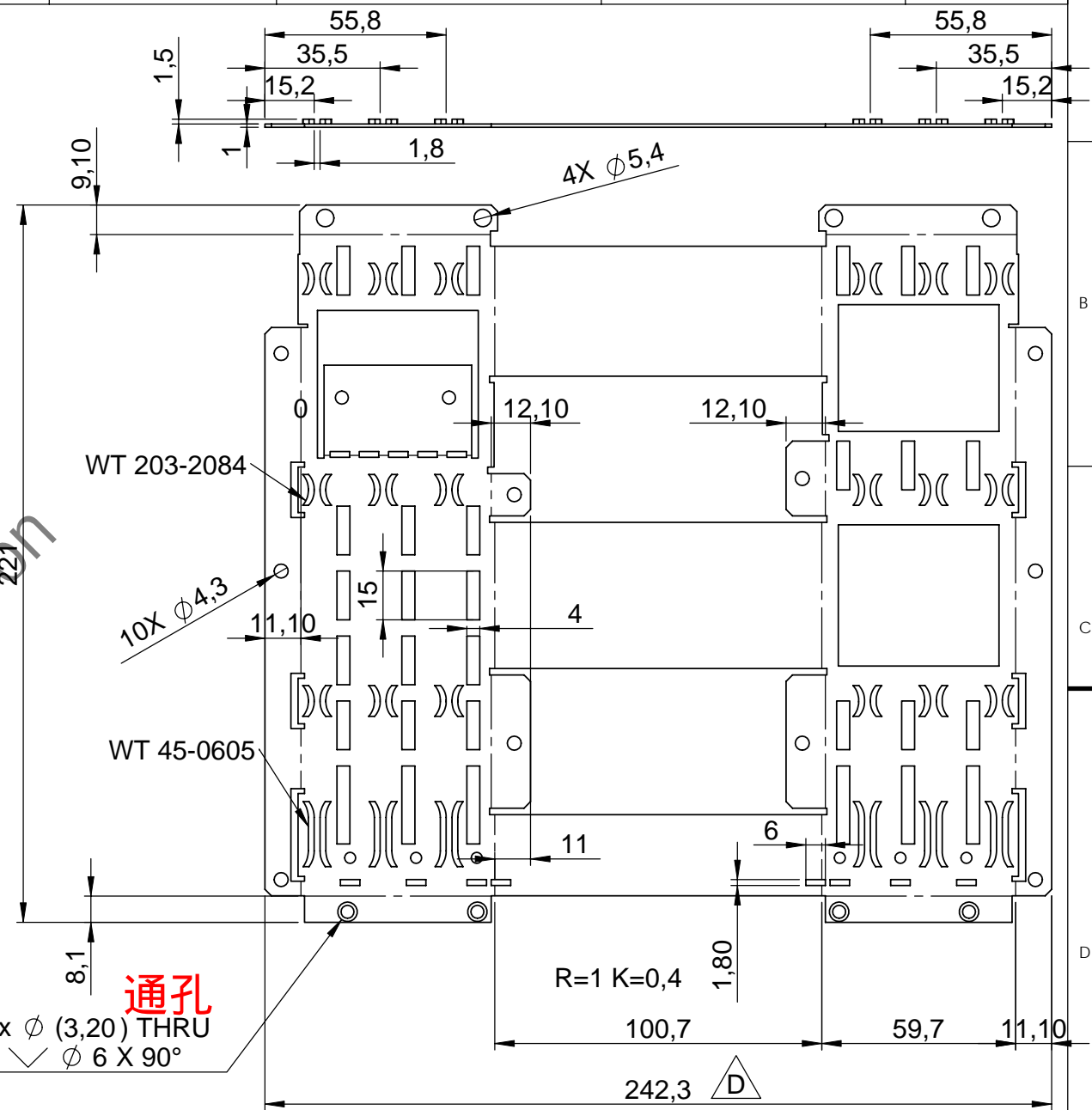
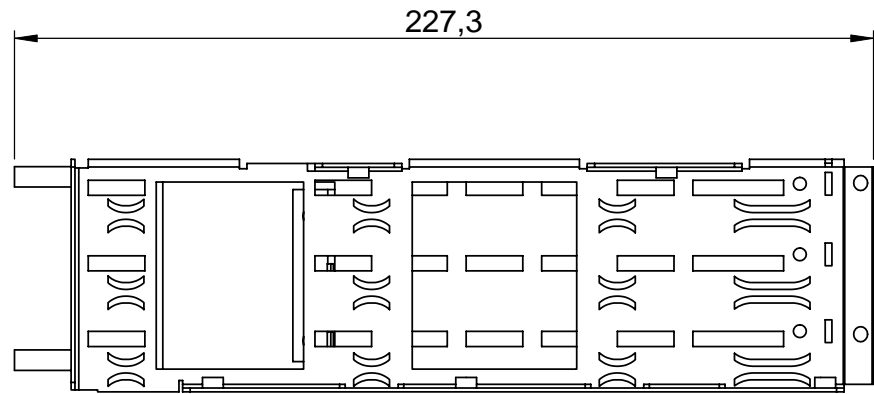
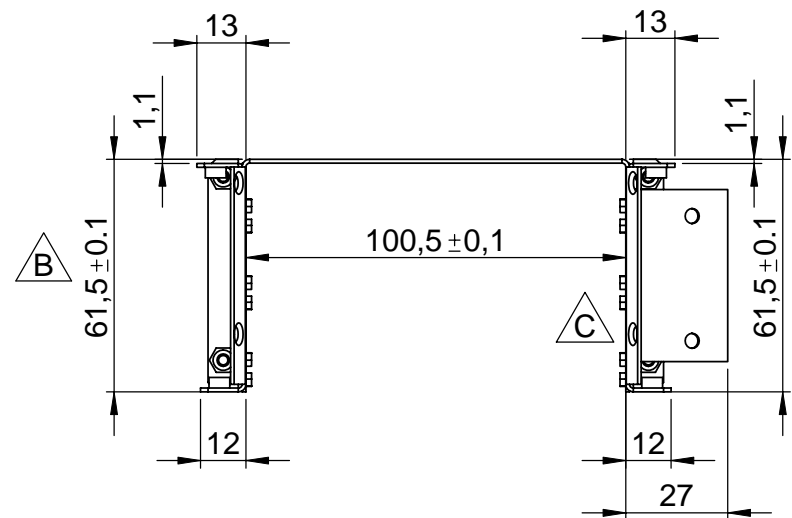
Rev.	Modification	Date	Sign.
D	Added material, measurement 366,3 was 365,8	18.11.2010	IJ
C	Several minor changes	13.01.2009	TL

REVISIONS

Part No.	Repl. for
----------	-----------



Parts List - Single part				
Qty.	Number	File Name	Material	Thickness
1	3DP 30197-10	Card guide	St Aluzink	1



3	4		PTSO-M3-16mm
2	10	Minarb M3	MINARB M3
1	1	3DP 30197-10	Card guide
Item No.	Qty.	Number	

(数量)

Rev.	Modification	Date	Sign.
D	Added material, measurement 242,3 was 241,5	19.11.2010	IJ
C	Several minor changes	13.01.2009	TL
B	Several minor changes	28.10.2008	TL
A	Several minor changes	02.10.2008	TL

REVISIONS

Date:	21.01.2008	Constr./drawn	TL	App:
Surface treatment:	NONE	Tolerance:	NS-ISO 2768 M	Scr:



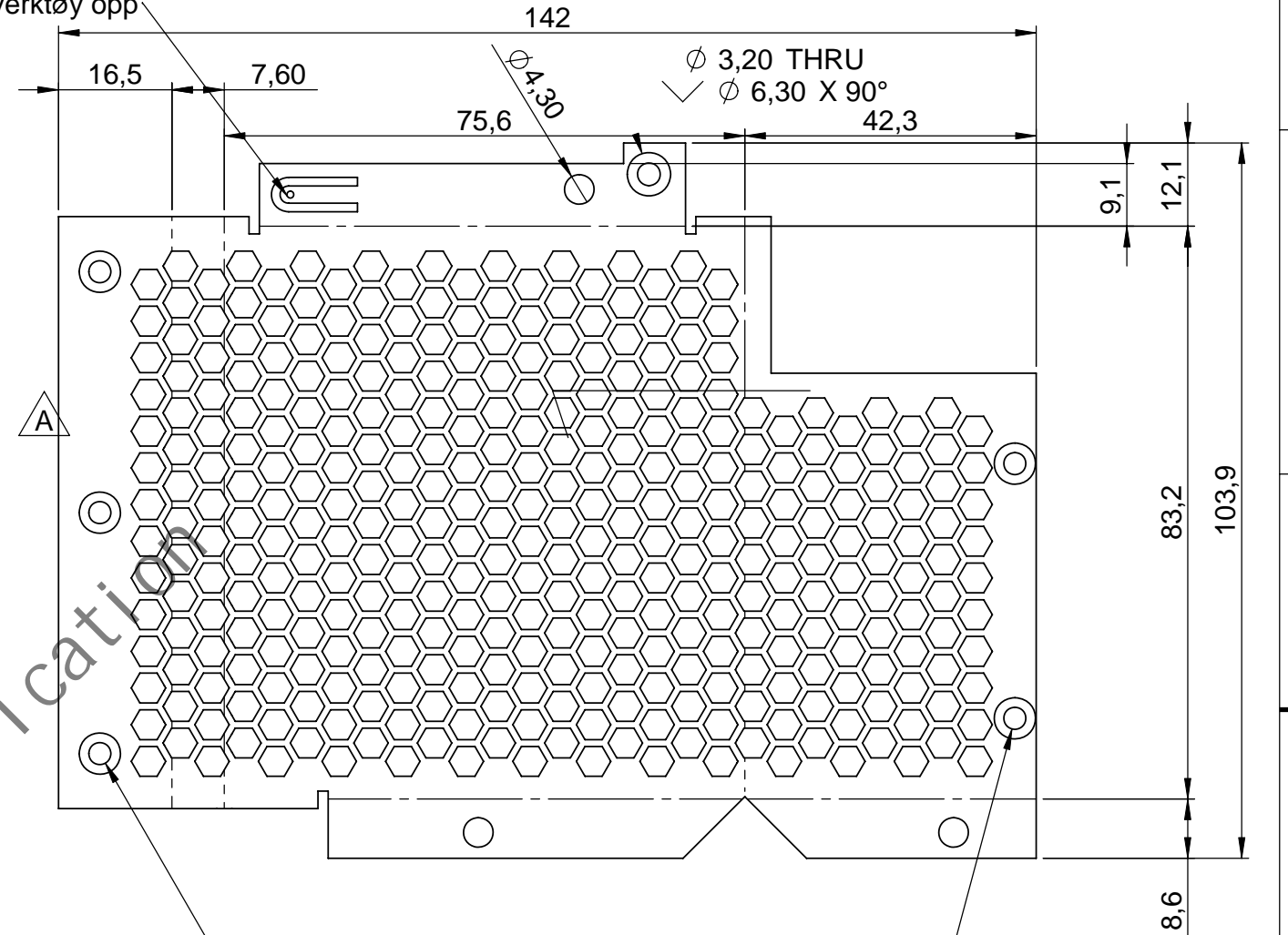
昊盛嘉

HSJ metal fabrication

Parts List - Single part

Qty.	Number	File Name	Material	Thickness
1	3DP 30222-10	Rear air out panel	St Aluzink	1.5

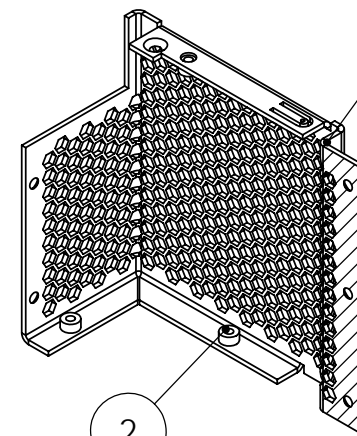
Dimp for fjør verktøy opp



3 x $\phi 3,20$ THRU
 $\phi 6$ X 90°

2 x $\phi 3,20$ THRU
 $\phi 6$ X 90°

HSJ metal fabrication



1 NO PAINT OR MASKING AREA:

Item No.	Qty.
2	3
1	1

Minarb M3

MINARB M3

Date: 18.01.2008

Surface treatment: EP-0301-4950327

Air out panel assy



昊盛嘉

HSJ metal fabrication

Rev.	Modification	Date	Sign.
A	Several minor changes	02.10.2008	TL

REVISIONS

Part No. 3DP 30222

REV A
ET 1 OF 1 A3